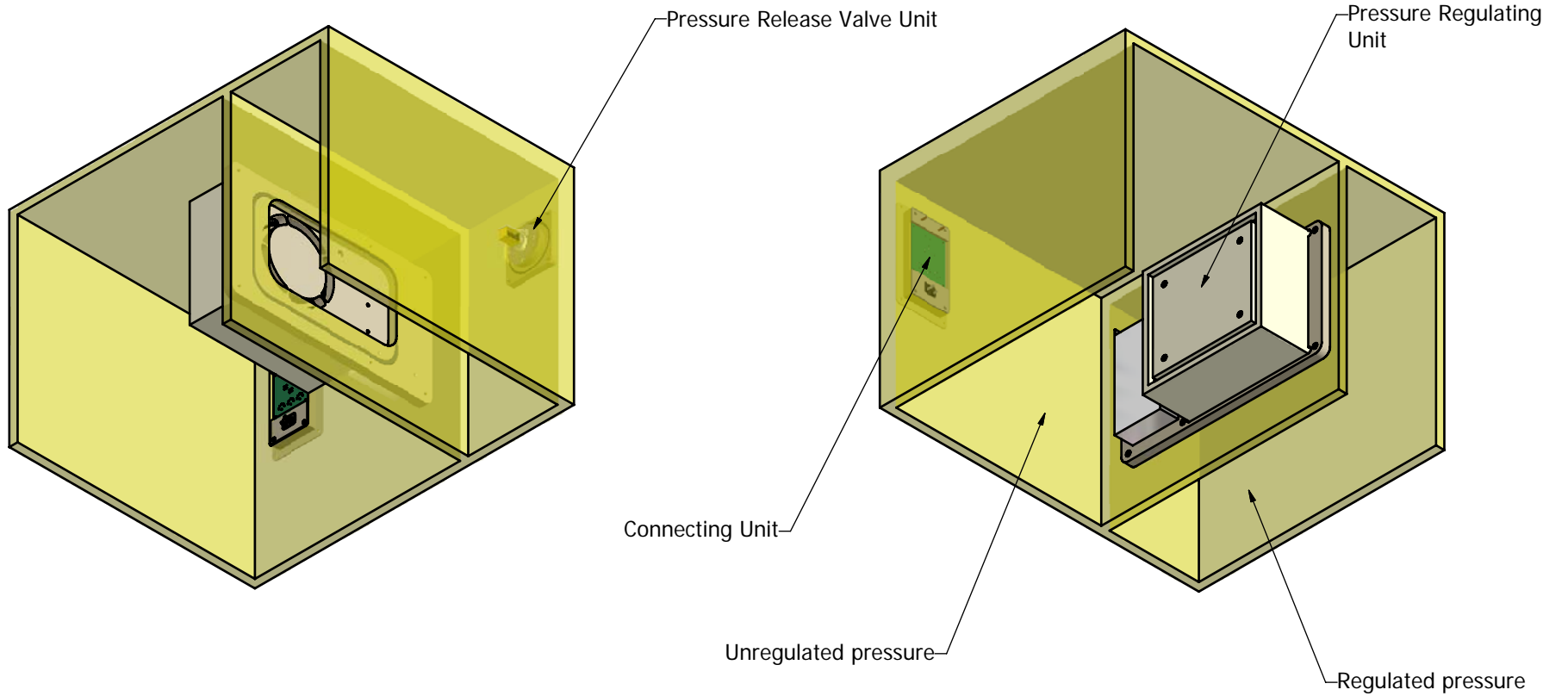
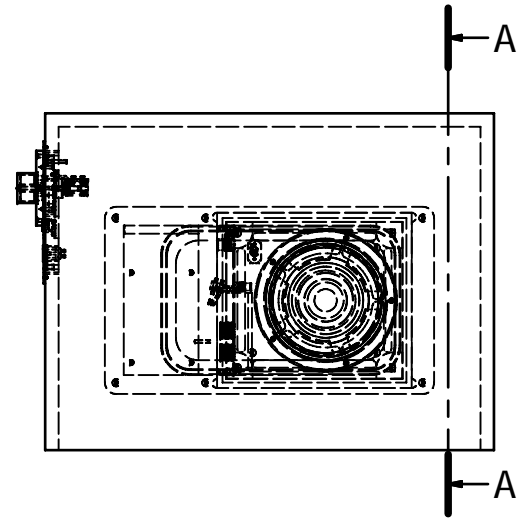
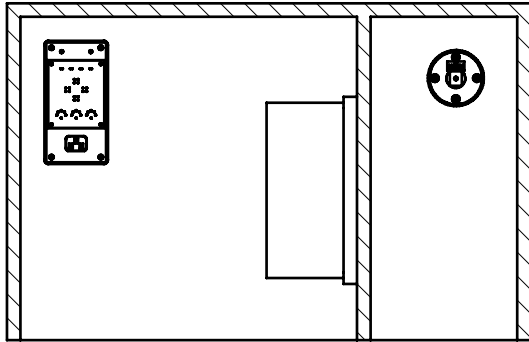
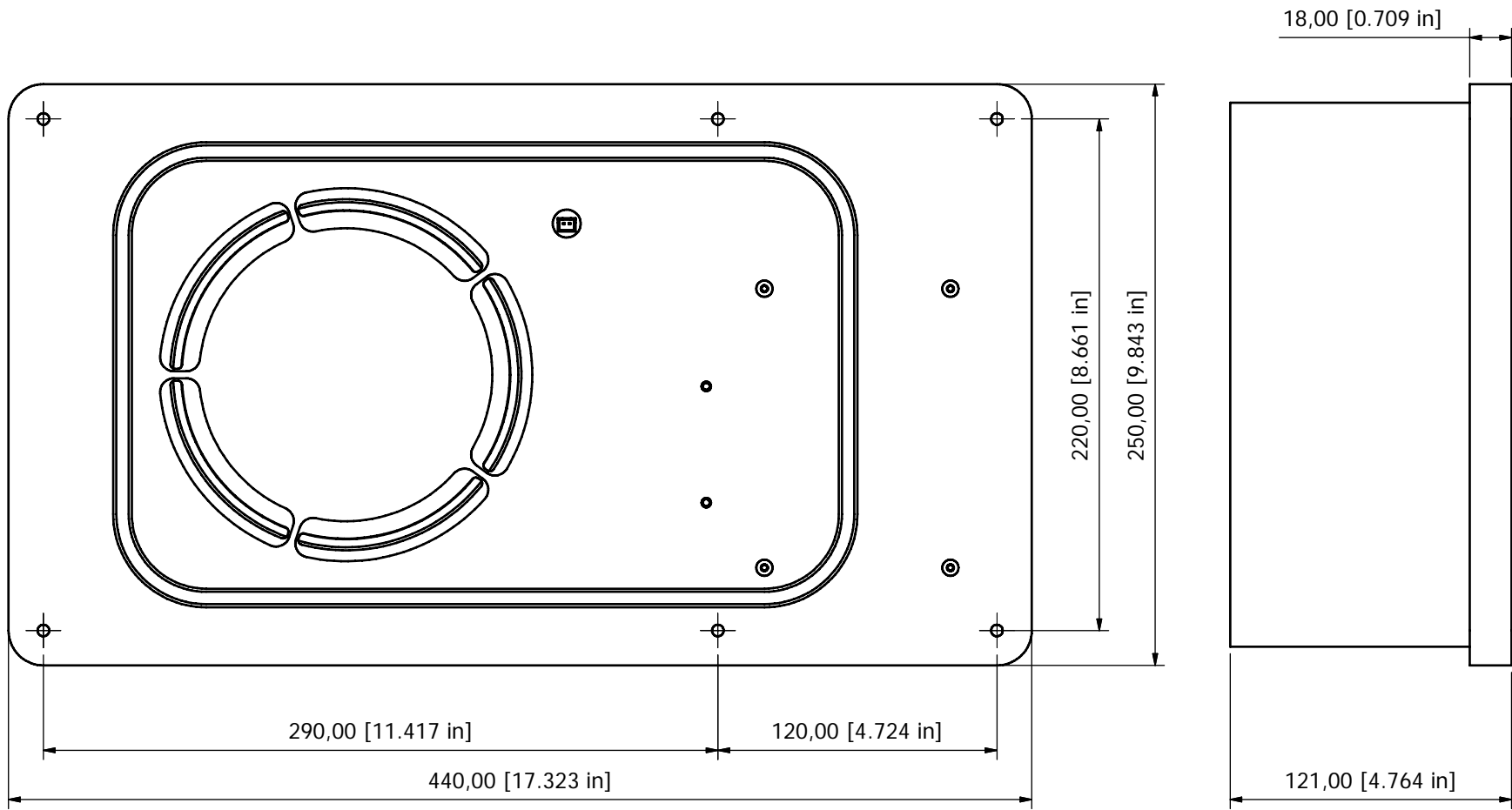
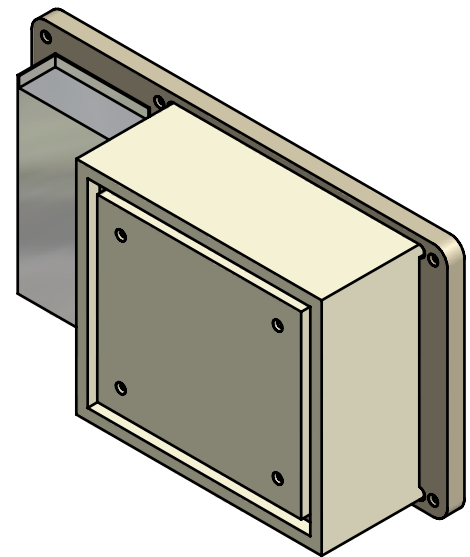
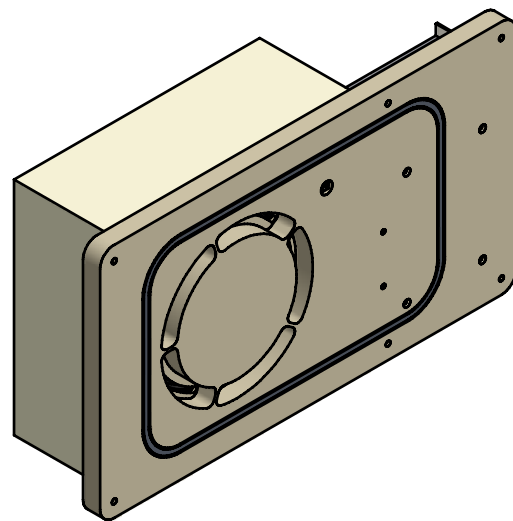


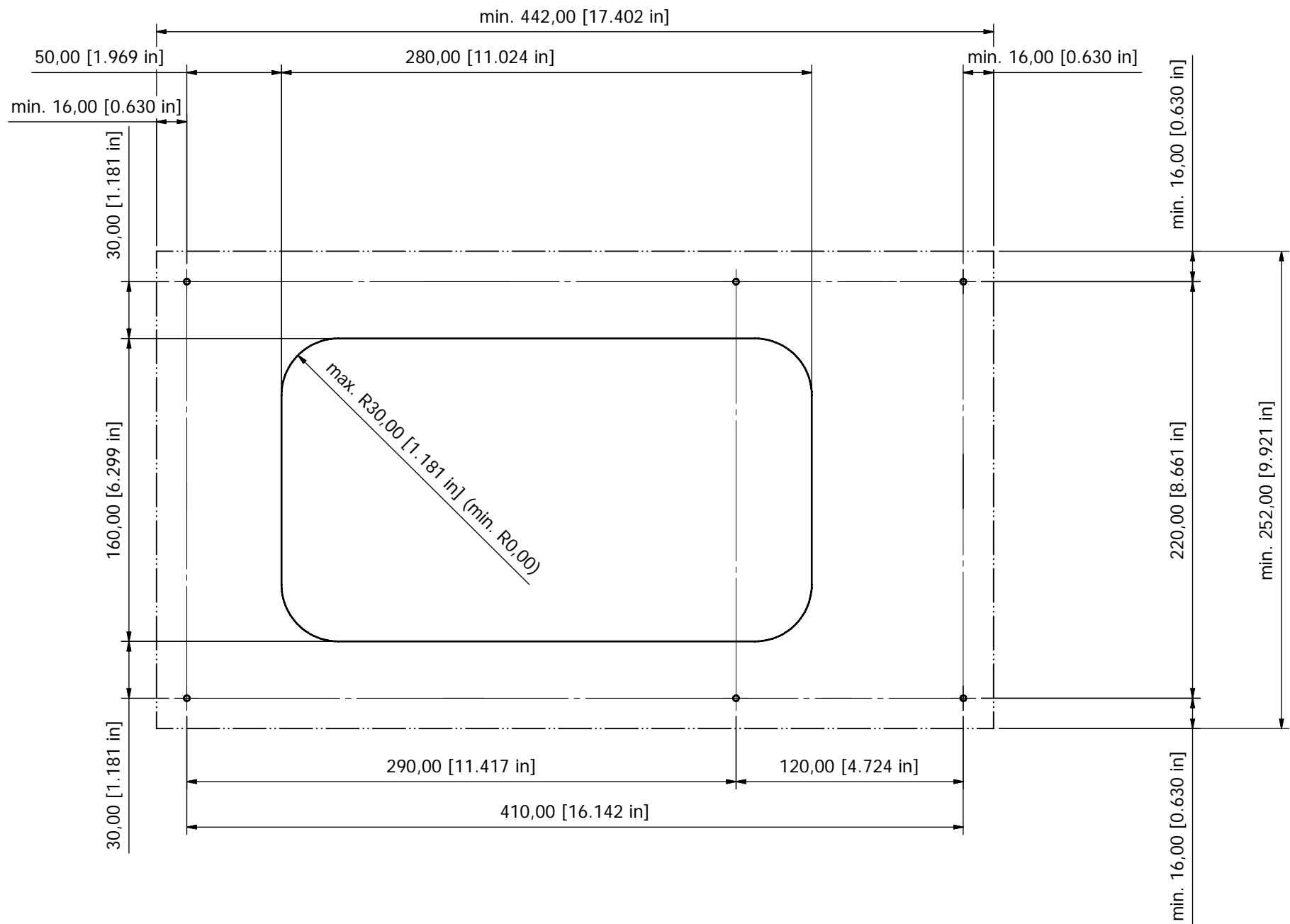
SECTION A-A



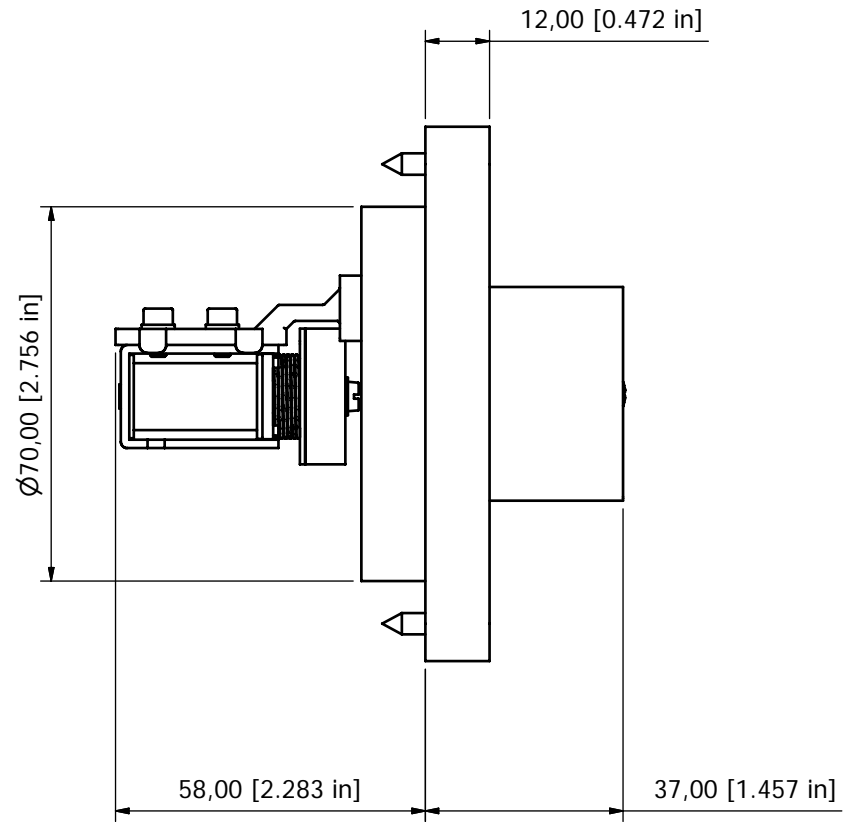
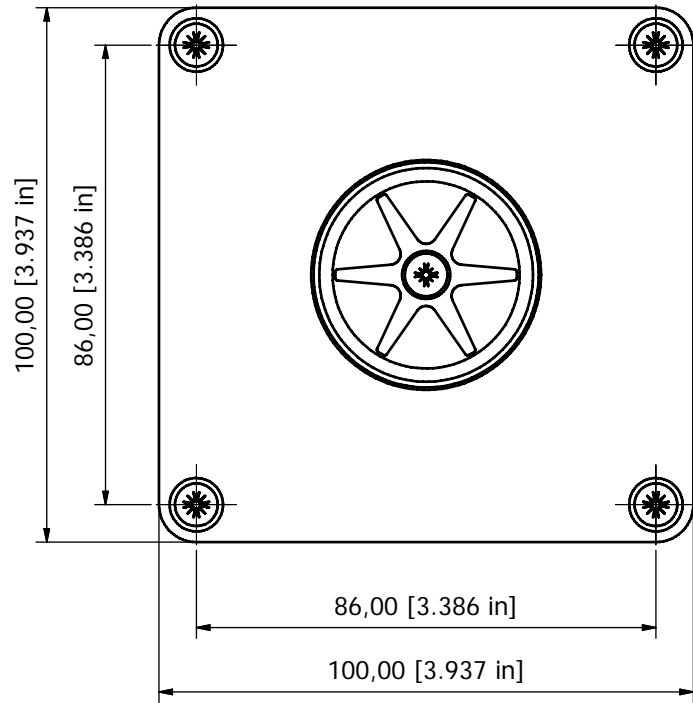


Pressure regulation unit

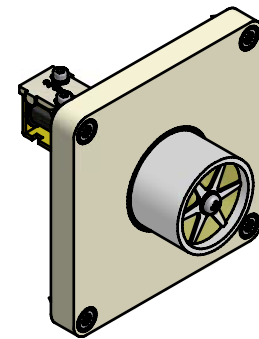


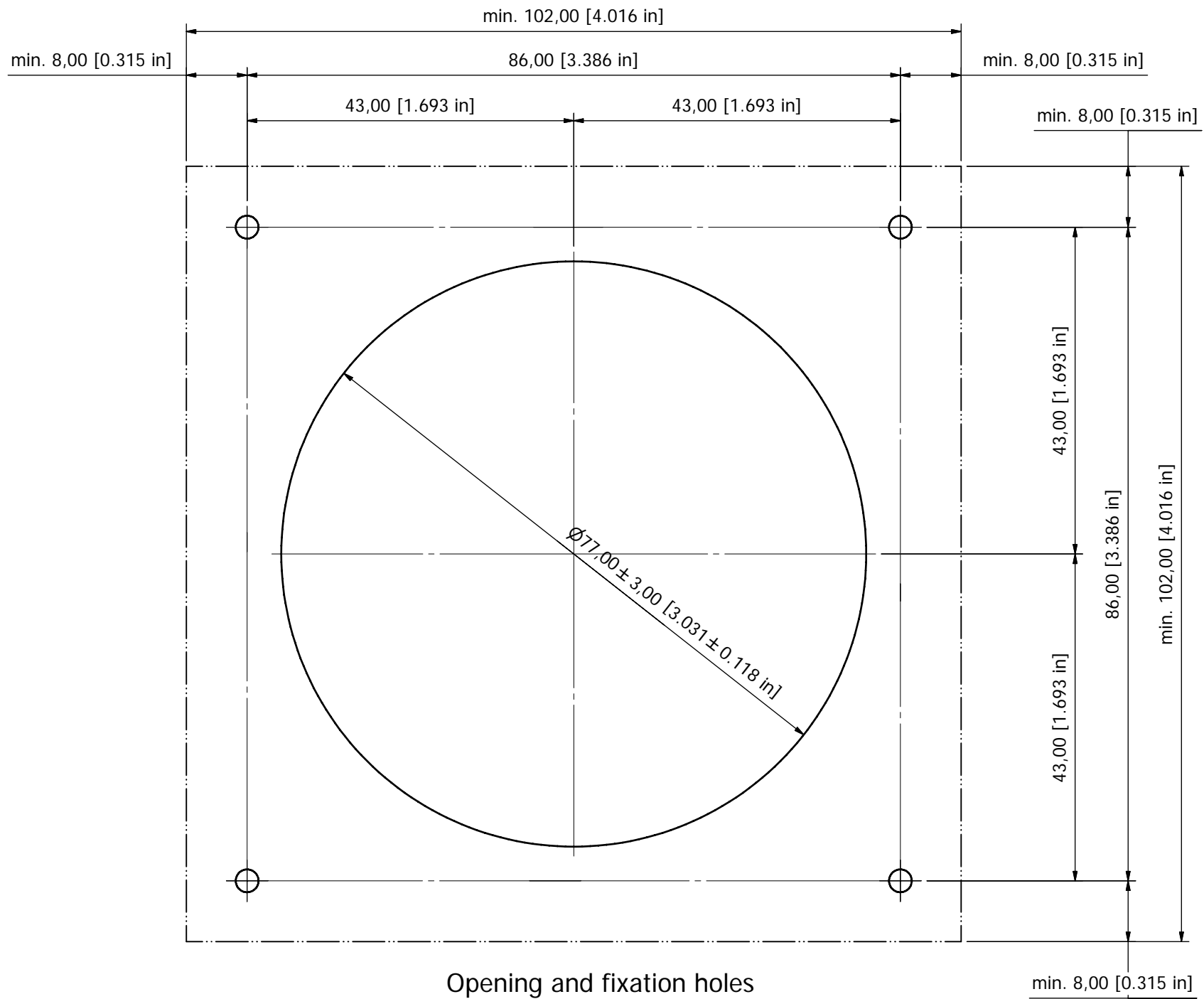


Opening and fixation holes
for pressure regulation unit

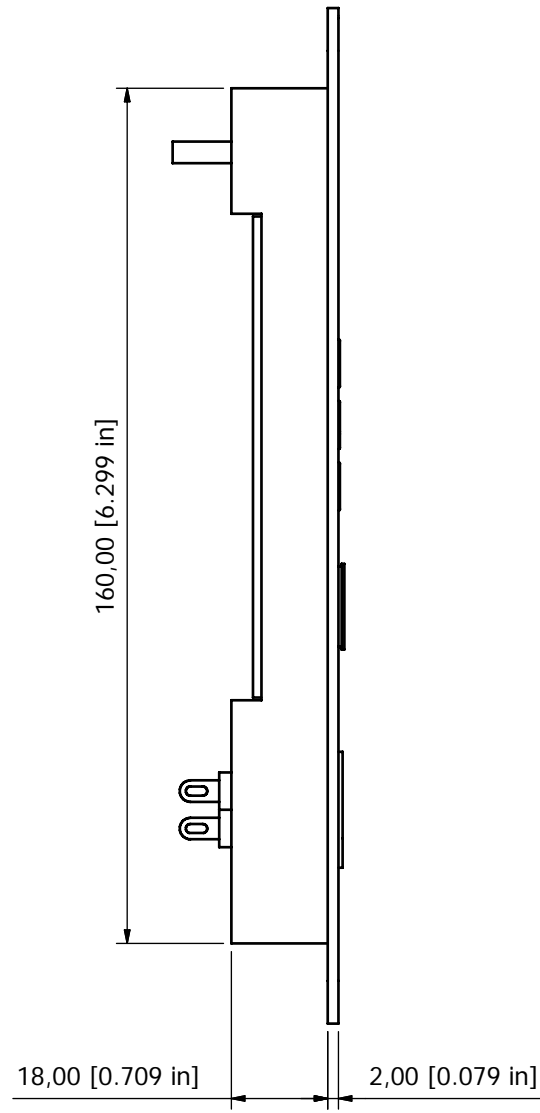
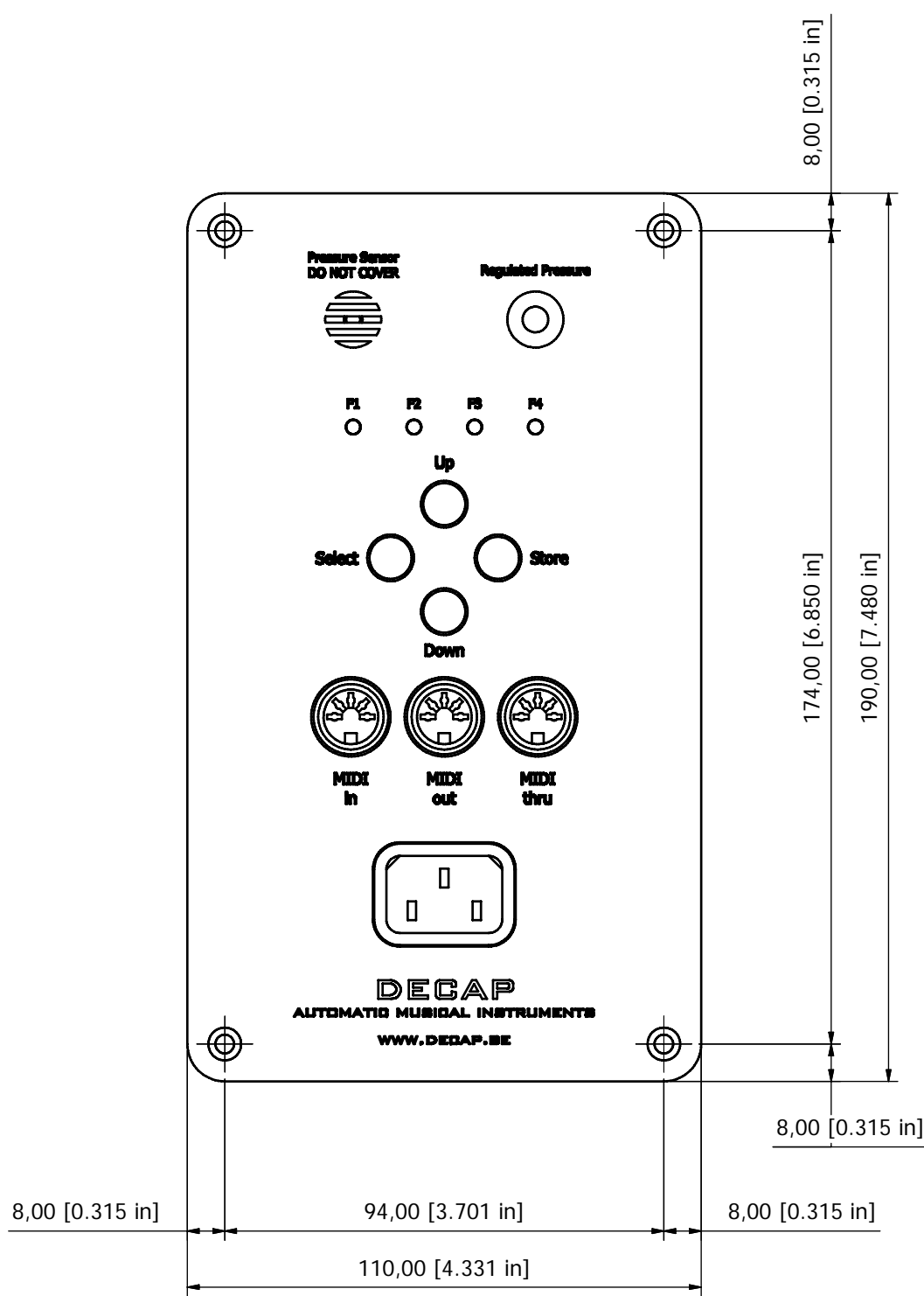


Pressure release valve unit

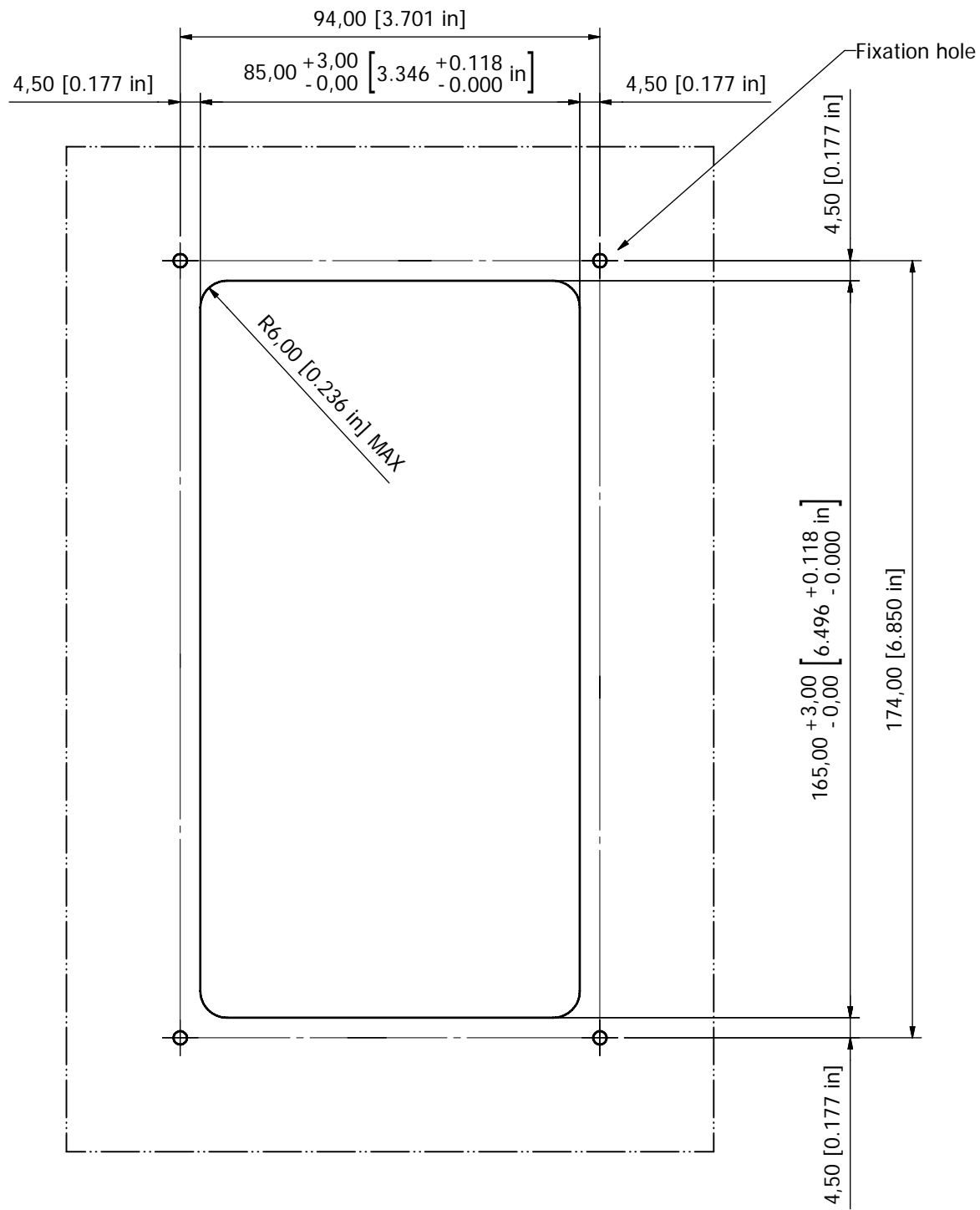




Opening and fixation holes
for pressure release valve unit



Connecting Unit



Opening and fixation holes
for connecting unit